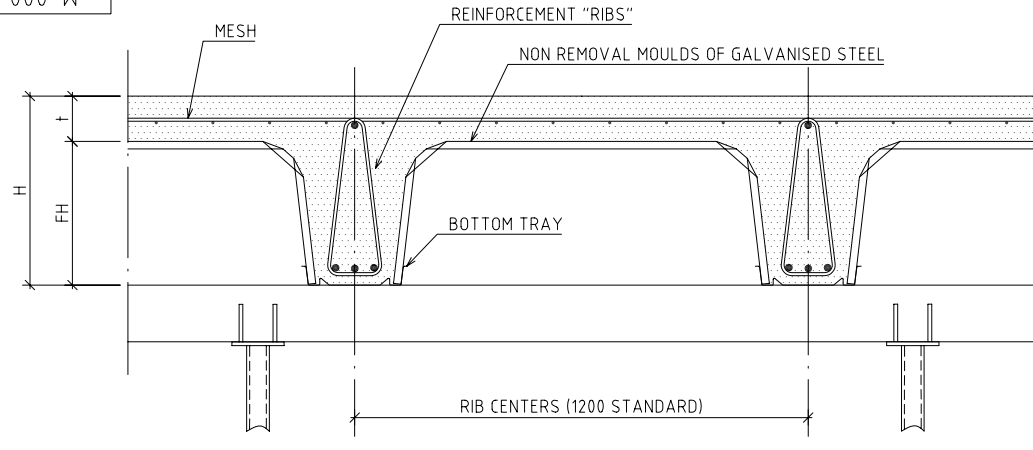
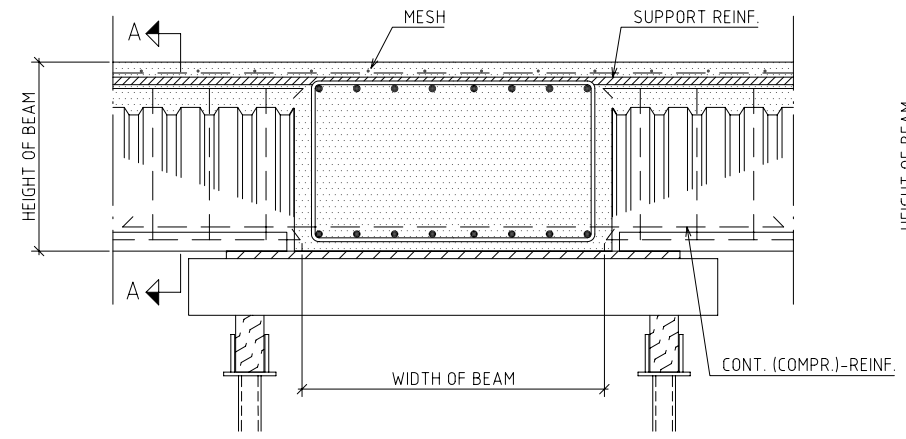


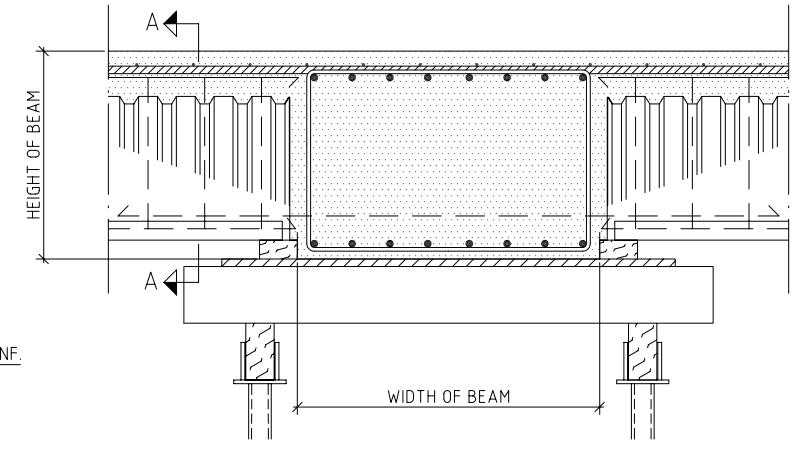
000-W



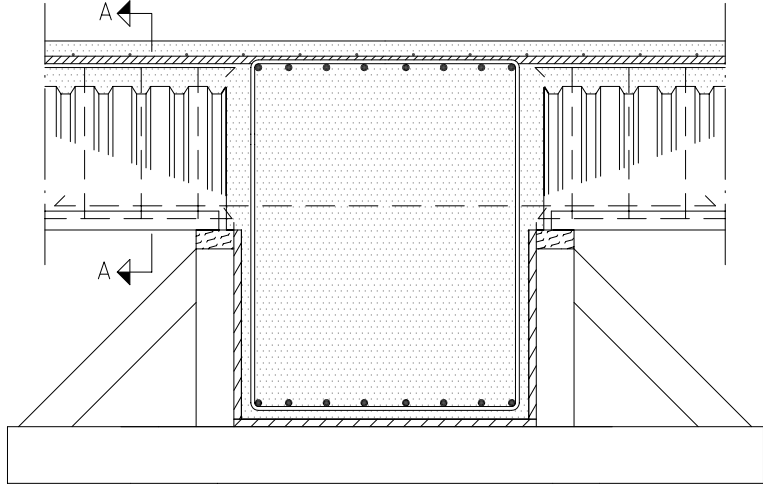
1 - 1 (TYPICAL SECTION)



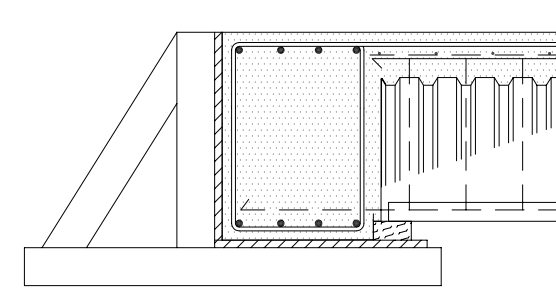
2 - 2 (SOFFIT BEAM=SOFFIT RIBS)



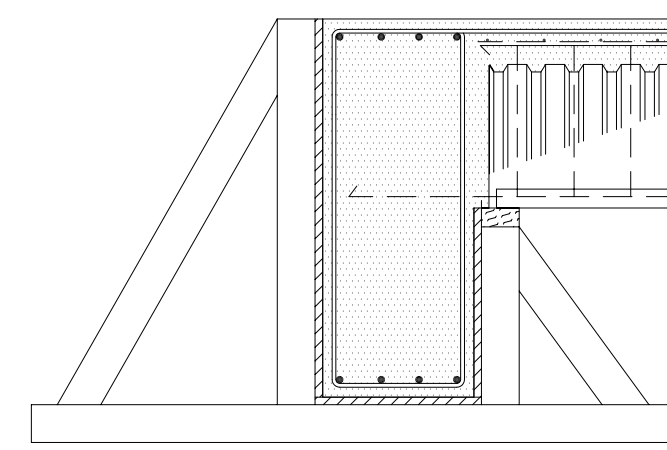
3 - 3 (LOW PRIMARY BEAM)



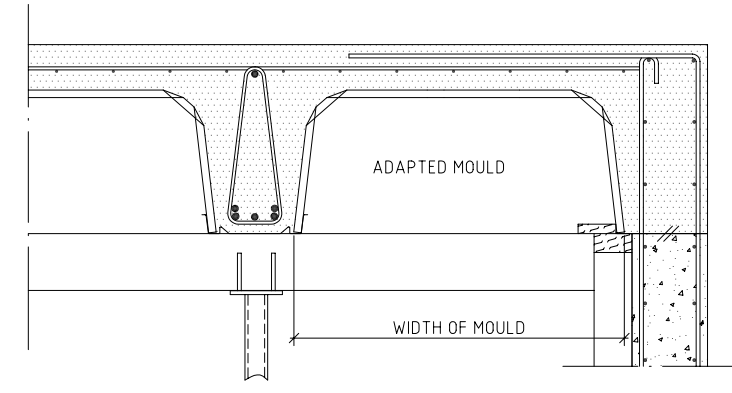
4 - 4 (HIGH PRIMARY BEAM)



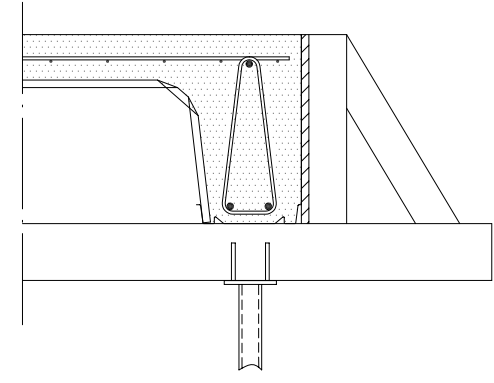
5 - 5 (LOW PERIMETER BEAM)



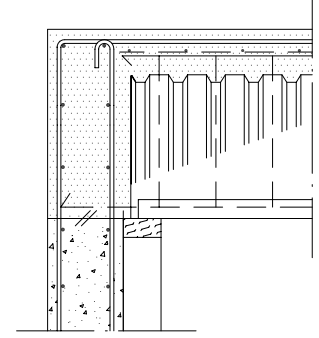
6 - 6 (HIGH PERIMETER BEAM)



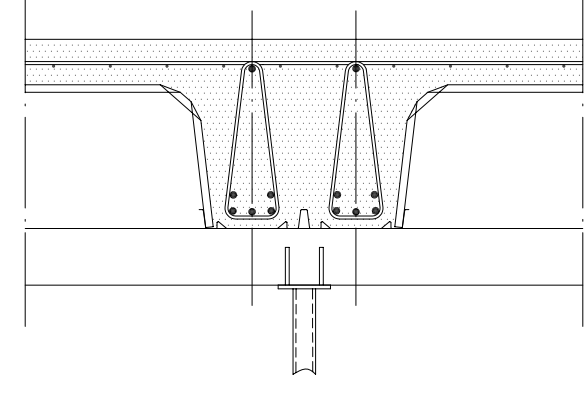
7 - 7 (RIBS PARALLEL TO WALL)



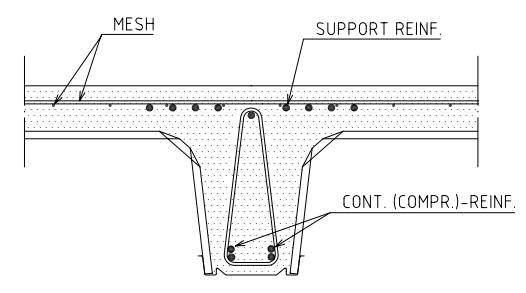
8 - 8 (PERIMETER RIB)



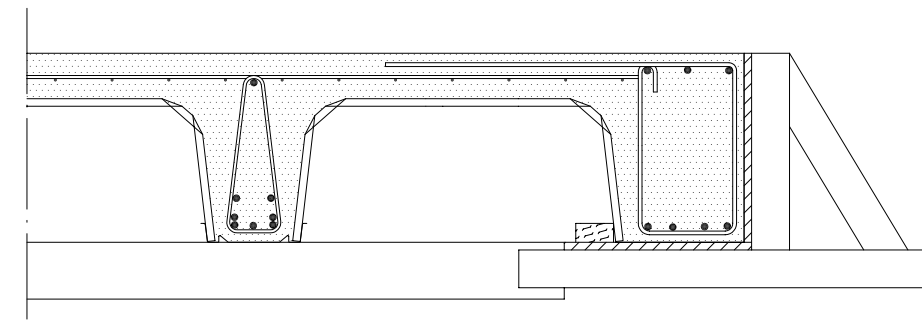
9 - 9 (RIB/WALL SUPPORT)



10 - 10 (DOUBLE RIBS-STRENGTHENING)



A - A



11 - 11 (PERIMETER BEAM PARALLEL TO RIB)

SpanForm
RIBBED SLAB
SweDeck
 Tallhammarsvägen 11
 S-136 33 VALLENTUNA
 Tel. +46 8 511 751 00
 Fax. +46 8 511 717 00

REV	DESCRIPTION	SIGN	DATE
PROJECT No	DRAWN N.J	DESIGN	
DATE	APPROVED		
SWEDECK RIBBED SLAB			
FORMWORK AND REINFORCEMENT SYSTEM			
PRINCIPLE DETAILS			
SCALE	DRAWING NR	REV	
		M-000	