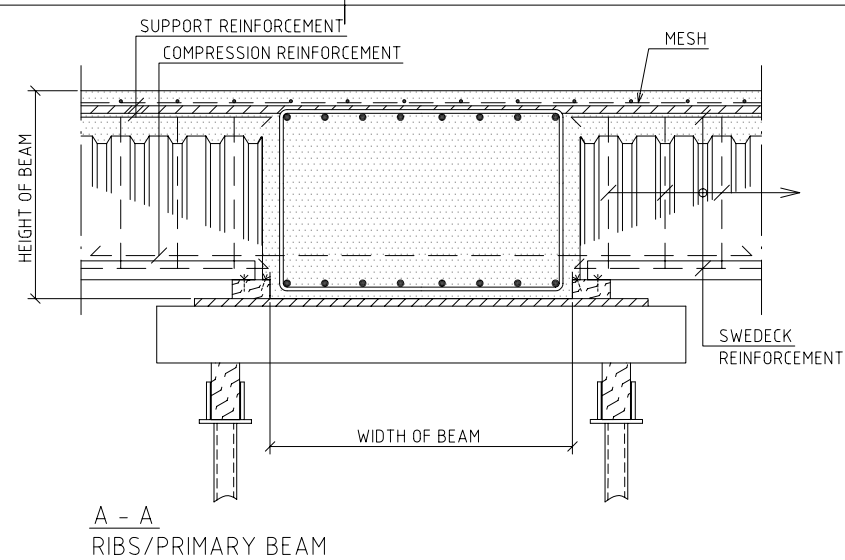
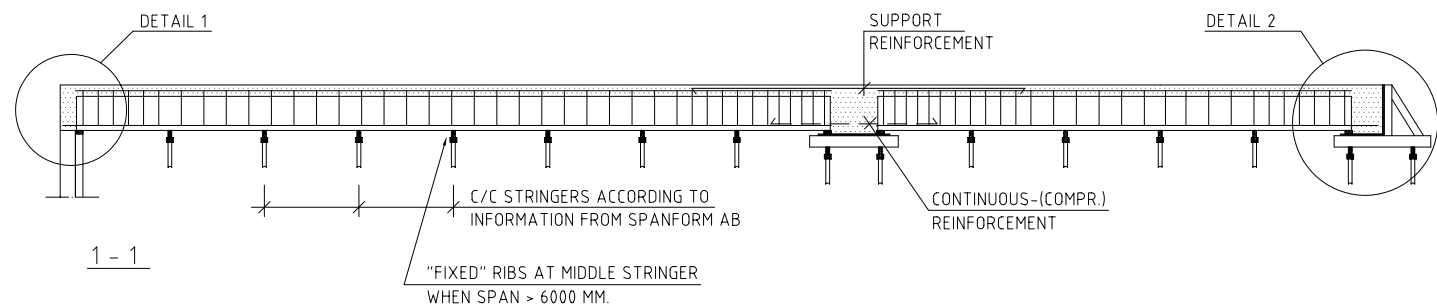
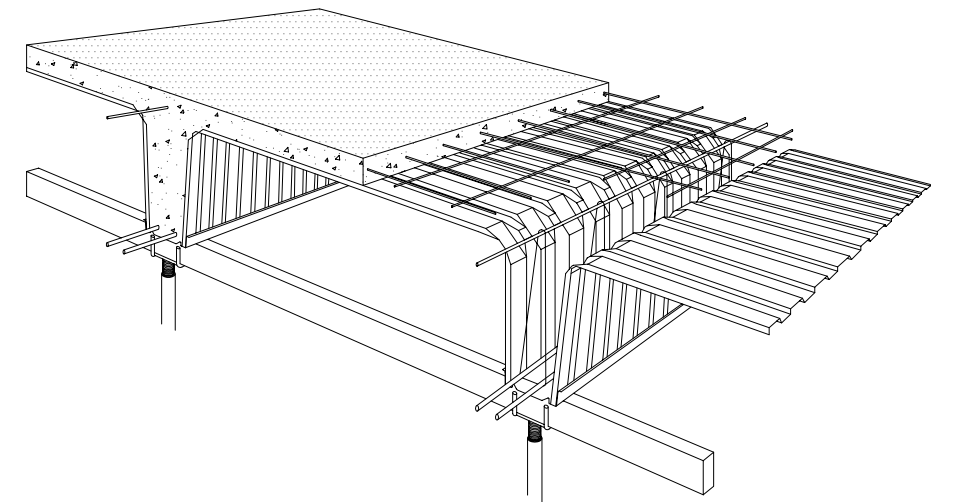


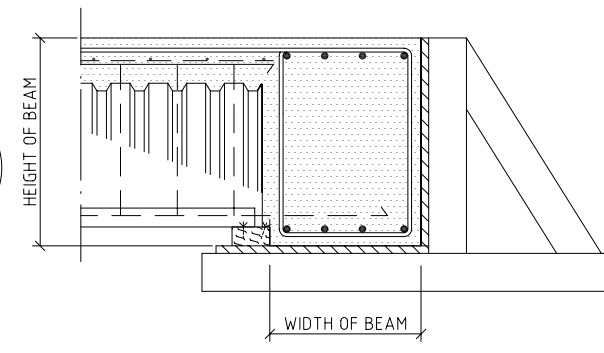
PLAN EXAMPLE



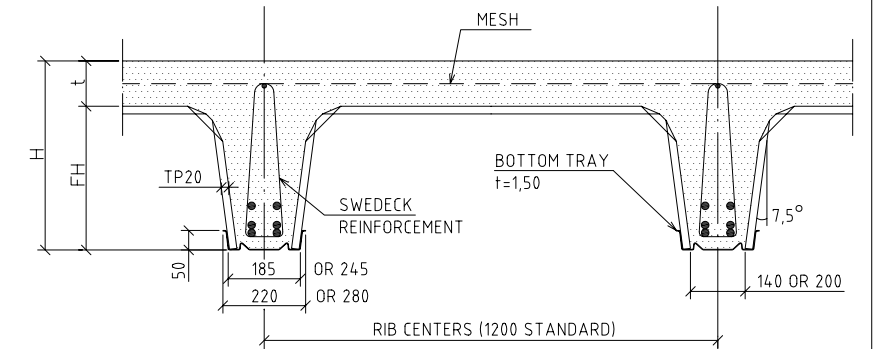
A - A RIBS/PRIMARY BEAM



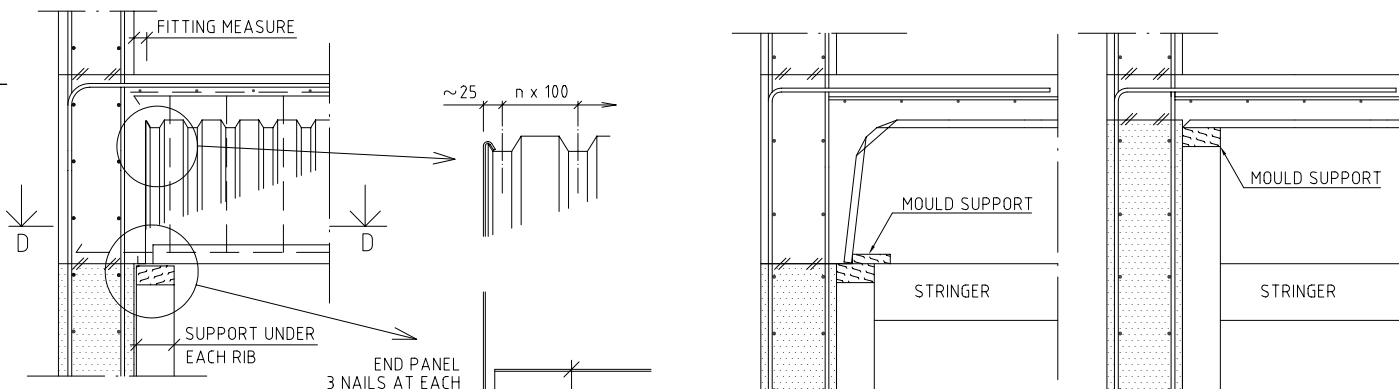
1 - 1



DETAIL 2 FACADE BEAM



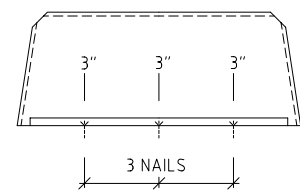
B - B PRINCIPLE DETAIL SWEDECK SLAB



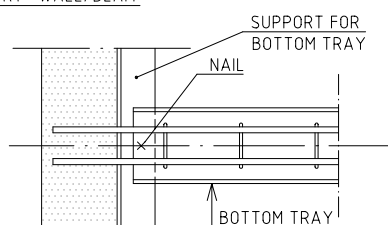
DETAIL 1 TYPICAL DETAIL END (WALL) SUPPORT

C - C

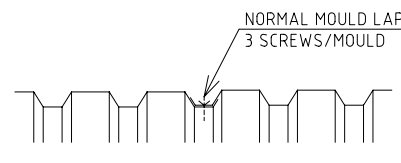
C - C ALTERNATIVE



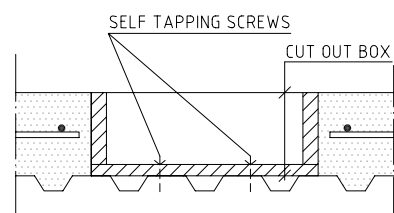
FIXATION OF END PANEL



D - D



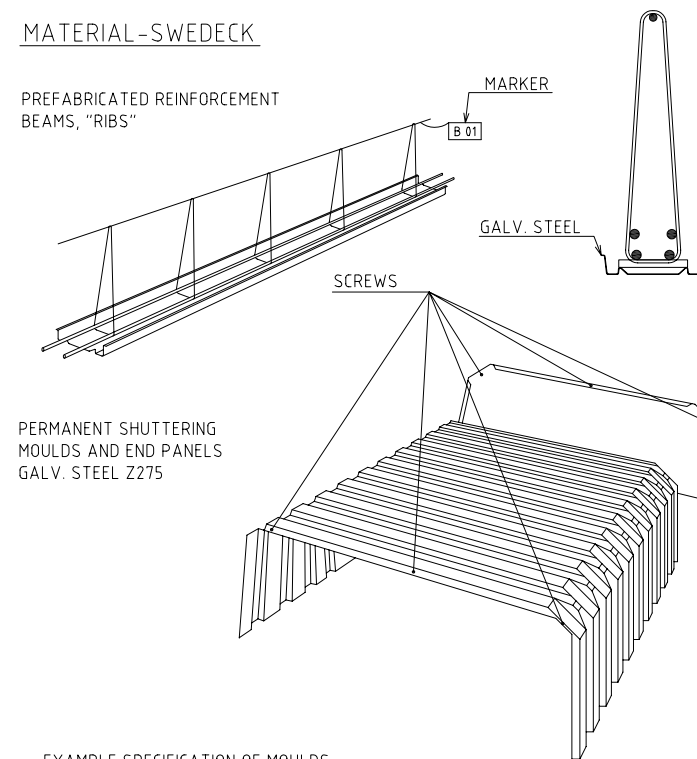
MOULD LAP



RECESS IN FLANGE

MATERIAL-SWEDECK

PREFABRICATED REINFORCEMENT BEAMS, "RIBS"

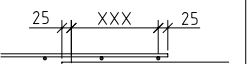


PERMANENT SHUTTERING MOULDS AND END PANELS GALV. STEEL Z275

NOTES

CONCRETE:

REINFORCEMENT:
SWEDECK RIBS:
MESH IN FLANGE:
MIN. LAP LENGTH: SEE FIGURE
ALL OTHER REINFORCEMENT:



ENVIRONMENT:
FIRE RESISTANCE:

LOADING:

SELF WEIGHT SWEDECK: kN/m2
IMPOSED LOAD: kN/m2
OTHER: kN/m2

REMOVAL OF STRINGERS AND PROPS:
CONCRETE STRENGTH AT LEAST %

INSTRUCTIONS

RIBS ARE LAID OUT WITH THE MARKERS ON THE RIGHT SIDE IF OTHERWISE IS NOT STATED (LEFT AND RIGHT AS SEEN ON THE PLAN DRAWING WHEN READING THE TEXT).
NOTE! RIBS WHICH ARE TO BE MOUNTED WITH THE MARKERS ON THE LEFT SIDE ARE MARKED /L AFTER THE POSITION NUMBER ON THE DRAWING, FOR EXAMPLE 5 x B01/L.
END PANEL/MOULD ARE TO BE FIXED BY 3 PCS OF 10 MM SCREWS AT EACH JOINT. SEE FIGURE TO THE LEFT.

STRINGERS: C/C MAXIMUM MM
CAMBER: (y mm) SEE PLAN DRAWING

EXAMPLE SPECIFICATION OF MOULDS

POS No	HEIGHT	WIDTH	MAX LENGTH	REMARK
F10	SEE SECTION	1060	1000	STANDARD
F4	SEE SECTION	1060	500	STANDARD
F10/RED	SEE SECTION	785	1000	SPECIAL

EXAMPLE SPECIFICATION OF SWEDECK REINFORCEMENT

POS No	PIECES	BOTTOM LAYER		STIRRUPS R8	
		LOWER	UPPER	LEFT	RIGHT
B 01	5	3 T16-10150 2 T16-9150	2 T12-7000	6@200-@300	6@150-6@200 + @300



RIBBED SLAB
SweDeck
Tallhammarsvägen 11
S-186 33 VALLENTUNA
Tel. +46 8 511 751 00
Fax. +46 8 511 717 00

REV	DESCRIPTION	SIGN	DATE
PROJECT No	DRAWN N.J	DESIGN	
DATE	APPROVED		
SWEDECK RIBBED SLAB			
GENERAL INSTRUCTIONS PRINCIPLE DETAILS			
SCALE	DRAWING NR	REV	
		M-0	